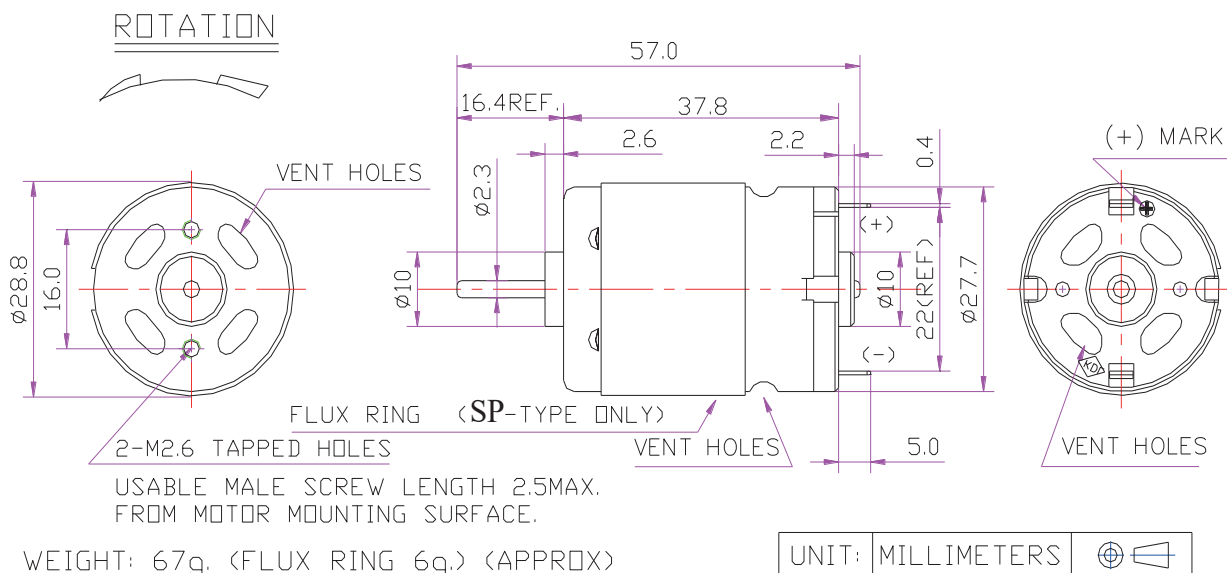


Micromotors CX.KC380 Series



PMDC Carbon-brush Motor (KC380SH type with metal end-cap is also available)

| Model | Voltage | | No Load | | At Maximum Efficiency | | | | | Stall | |
|------------------------|-------------------|--------------------|-----------|-----------|-----------------------|-----------|-------------|----------|--------|-------------|-----------|
| | Operating Voltage | Nominal (Constant) | Speed rpm | Current A | Speed rpm | Current A | Torque g-cm | Output W | Eff. % | Torque g-cm | Current A |
| CX.KC380SP-6516 | 1.2-3.6 | 2.4 | 14500 | 1.50 | 11850 | 6.71 | 74.93 | 9.11 | 56.6 | 410 | 30.0 |
| CX.KC380S-5518 | 1.0-4.0 | 3.6 | 21000 | 1.50 | 17593 | 7.75 | 89.23 | 16.1 | 57.7 | 550 | 40.0 |
| CX.KC380S-4530 | 2.4-6.0 | 6.0 | 19500 | 0.95 | 16500 | 5.23 | 109.9 | 18.60 | 59.3 | 715 | 28.8 |
| CX.KC380S-4535 | 1.2-4.5 | 2.4 | 6800 | 0.55 | 5321 | 2.62 | 60.7 | 3.5 | 55.6 | 350 | 12.4 |
| CX.KC380S-4045 | 2.4-9.6 | 3.6 | 8500 | 0.50 | 6975 | 2.52 | 80.75 | 5.78 | 63.8 | 450 | 11.5 |
| CX.KC380S-4045 | 2.4-9.6 | 7.2 | 16100 | 0.55 | 13810 | 3.32 | 110.2 | 15.6 | 65.4 | 775 | 20.0 |
| CX.KC380SP-4045 | 2.4-9.6 | 7.2 | 15000 | 0.55 | 12866 | 3.32 | 116.6 | 15.39 | 64.5 | 820 | 20.0 |
| CX.KC380S-3270 | 2.4-9.0 | 4.5 | 6300 | 0.31 | 5192 | 1.45 | 73.9 | 3.94 | 60.2 | 420 | 6.8 |
| CX.KC385SP-3270 | 6.0-15.0 | 12.0 | 16500 | 0.30 | 14393 | 2.05 | 109.8 | 16.21 | 65.9 | 860 | 14.0 |
| CX.KC380S-2580 | 7.2-18.0 | 12.0 | 16800 | 0.26 | 14318 | 1.50 | 81.3 | 11.93 | 66.3 | 550 | 8.7 |
| CX.KC380SP-21130 | 6.0-15.0 | 12.0 | 9100 | 0.15 | 7730 | 0.84 | 83.0 | 6.58 | 64.9 | 550 | 4.75 |
| CX.KC380S-15200 | 6.0-24.0 | 12.0 | 6700 | 0.11 | 5357 | 0.44 | 50.1 | 2.75 | 52.3 | 250 | 1.75 |
| CX.KC380S-14250 | 9.0-30 | 12.0 | 5100 | 0.08 | 3980 | 0.28 | 46.3 | 1.89 | 55.6 | 210 | 1.15 |
| CX.KC380S-14250 | 9.0-30 | 24.0 | 10300 | 0.10 | 8460 | 0.44 | 73.4 | 6.36 | 60.8 | 410 | 2.1 |
| CX.KC380S-10490 | 9.0-35.0 | 12.0 | 2500 | 0.042 | 1835 | 0.12 | 30.6 | 0.58 | 41.4 | 115 | 0.32 |
| General Test Tolerance | | | ± 15% | | | | | | | | |