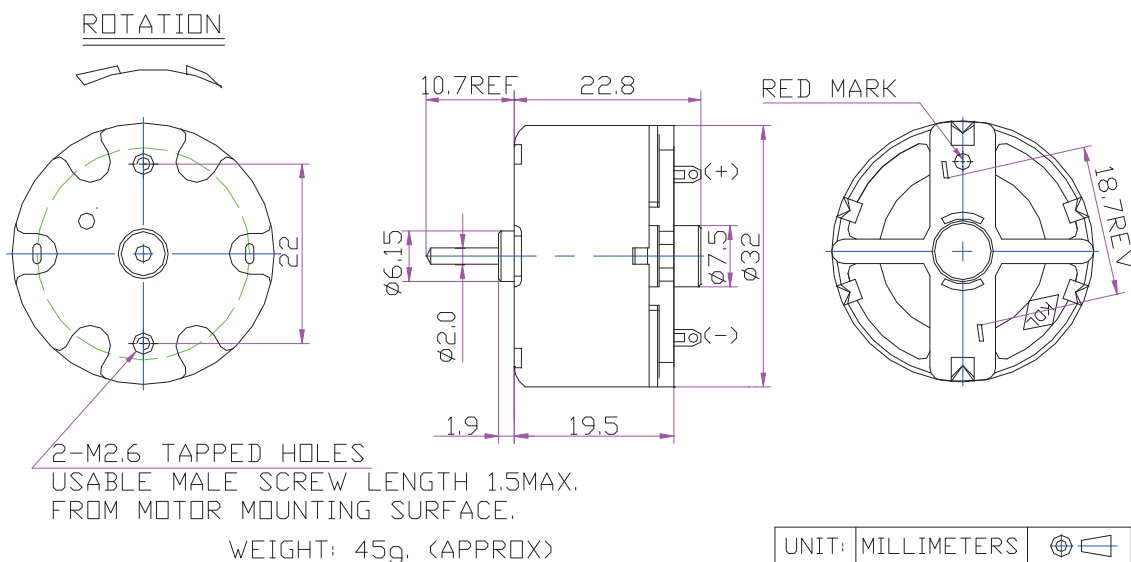


Micromotors CX.KR500



Precious Metal-brush Motor

Model	Voltage		No Load		At Maximum Efficiency					Stall	
	Operating Voltage	Nominal (Constant)	Speed rpm	Current A	Speed rpm	Current A	Torque g-cm	Output W	Eff. %	Torque g-cm	Current A
CX.KR500-20250	0.5-6.0	3.0	2900	0.045	2355	0.194	15.8	0.38	65.4	84	1.05
CX.KR500-18280	1.0-6.0	1.5	1350	0.025	1074	0.097	6.7	0.07	50.8	33	0.38
CX.KR500-18280	1.0-6.0	3.0	2800	0.035	2261	0.162	12.4	0.29	59.3	70	0.75
CX.KR500-18280	1.0-6.0	6.0	5400	0.055	4515	0.255	19.7	0.91	59.6	120	1.35
CX.KR500-14415	1.5-7.2	1.5	900	0.016	690	0.051	4.5	0.03	41.8	18.5	0.16
CX.KR500-14415	1.5-7.2	3.0	1800	0.020	1391	0.077	7.6	0.11	46.6	37	0.31
CX.KR500-14415	1.5-7.2	6.0	3800	0.028	3136	0.132	14.9	0.48	60.2	85	0.63
CX.KR500-12560	1.5-9.0	1.5	630	0.015	440	0.036	4.1	0.02	35.2	14	0.09
CX.KR500-12560	1.5-9.0	3.0	1240	0.016	950	0.052	7.6	0.07	47.2	32	0.17
CX.KR500-12560	1.5-9.0	6.0	2750	0.020	2236	0.078	12.2	0.28	59.4	65	0.34
CX.KR500-12560A	3.0-12.0	12.0	5600	0.030	4603	0.139	20.5	0.97	58.1	115	0.63
CX.KR500-10840	6.0-15.0	12.0	3750	0.030	2849	0.095	19.2	0.56	49.3	80	0.30
CX.KR500-071000	6.0-15.0	6.5	1575	0.010	1192	0.031	7.9	0.10	47.7	32.5	0.10
CX.KR500-071000	6.0-15.0	12.0	3000	0.015	2330	0.052	13.4	0.32	51.0	60	0.18
General Test Tolerance			± 15%								

Remark: KR500 is precious Metal-Brush Motor – Low Noise Series.