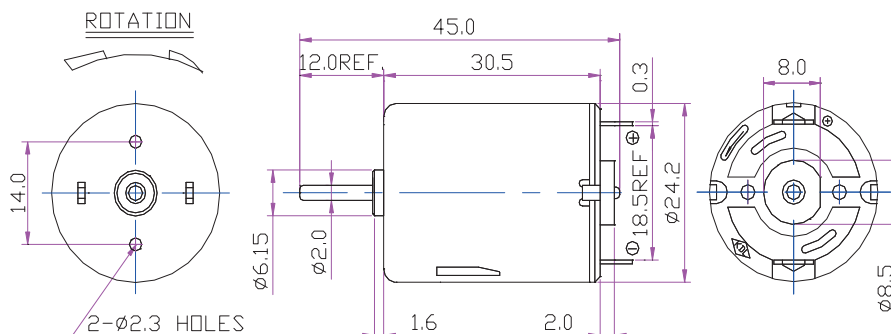


Micromotors

CX.KR280 – CX.KC280 Series



WEIGHT: 45g. (APPROX)

UNIT: MILLIMETERS

Model	Voltage		No Load		At Maximum Efficiency					Stall	
	Operating Voltage	Nominal (Constant)	Speed rpm	Current A	Speed rpm	Current A	Torque g-cm	Output W	Eff. %	Torque g-cm	Current A
CX.KR280-2865	1.5-3.0	3.0	9600	0.22	7880	1.01	22.4	1.81	59.7	125	4.7
CX.KR280S-2865	1.5-4.5	3.0	7000	0.20	5790	0.96	28.1	1.67	58.0	163	4.7
CX.KR280-18160	3.0-9.0	3.0	3700	0.07	2875	0.24	12.3	0.36	49.4	55	0.85
CX.KR280-18160	3.0-9.0	6.0	7500	0.09	6097	0.39	21.0	1.31	55.8	112	1.70
CX.KC280S-3155	3.0-6.0	4.5	12000	0.30	10100	1.60	42.7	4.42	61.6	270	8.5
CX.KC280-2865	3.0-7.2	4.5	13800	0.28	11472	1.38	27.8	3.28	52.7	165	6.8
CX.KC280S-2865	3.0-7.2	4.5	10200	0.25	8549	1.30	37.2	3.27	53.1	230	6.8
CX.KC280S-2675	2.4-7.2	4.5	9000	0.20	7433	0.95	32.2	2.46	57.5	185	4.5
CX.KC280S-2485	3.0-7.2	6.0	10600	0.20	8833	1.00	40.0	3.62	60.4	240	5.0
CX.KC280S-21120	3.0-7.2	6.0	7800	0.15	6344	0.65	34.5	2.25	57.3	185	2.85
CX.KC280S-21130	6.0-15.0	12	14700	0.140	12536	0.81	48.6	6.25	64.2	330	4.85
CX.KC280S-18145	3.0-12.0	6.0	7000	0.12	5650	0.50	29.9	1.73	57.5	155	2.1
CX.KC280S-15180	4.5-15.0	12.0	10800	0.10	8920	0.47	35.7	3.27	57.4	205	2.25
CX.KC280S-15200	4.5-15.0	12.0	9500	0.09	7788	0.39	35.1	2.81	60.5	195	1.76
*CX.KC280S-14250	6.0-24.0	24.0	14800	0.09	12435	0.45	52.7	6.73	62.7	330	2.25
CX.KC280S-12300	9.0-30.0	12.0	6400	0.05	5168	0.21	27.3	1.45	57.6	142	0.88
CX.KC280S-12300	9.0-30.0	24.0	12500	0.07	10456	0.33	45.8	4.91	61.6	280	1.70
CX.KC280S-10350	4.5-24.0	12.0	5150	0.040	4054	0.15	22.4	0.99	52.4	105	0.55
CX.KC280S-09400	6.0-24.0	12.0	4600	0.035	3588	0.11	18.3	0.67	50.9	83	0.39
CX.KC280S-09400	6.0-24	24	9500	0.04	7812	0.16	28.8	2.31	59.3	162	0.75
CX.KC280S-09440	6.0-24.0	12.0	4500	0.04	3363	0.12	19.2	0.66	46.6	76	0.35
CX.KC280S-09450	6.0-36.0	35.0	12000	0.038	9906	0.18	36.7	3.72	59.2	210	0.85
CX.KC280S-08500	9.0-30.0	12.0	3700	0.03	2762	0.088	16.5	0.47	44.1	65	0.26
General Test Tolerance			± 15%								

Remarks: KR280 & KR280S are Stamped Metallic Brush Motors. KC280 & KC280S are Carbon Brush Motors.