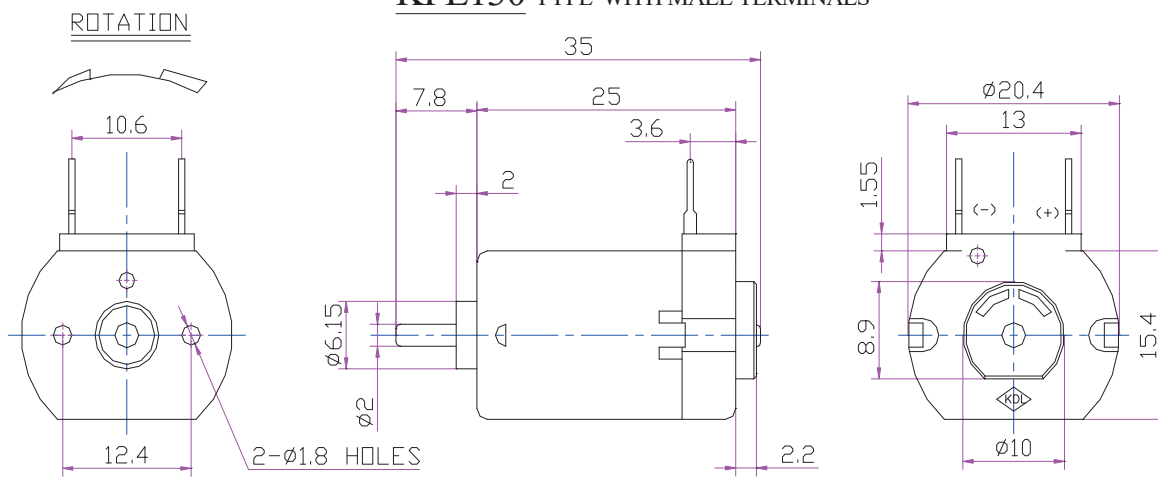
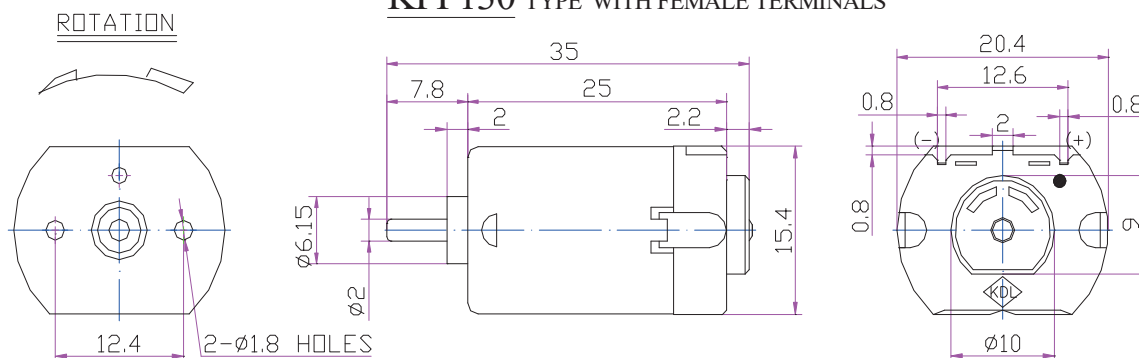


# Micromotors CX.KFE130 – CX.KFP130 Series

## KFE130 TYPE WITH MALE TERMINALS



## KFP130 TYPE WITH FEMALE TERMINALS



WEIGHT: 19g. (APPROX)

UNIT: MILLIMETERS

| Model                  | Voltage           |                    | No Load   |           | At Maximum Efficiency |           |             |          |        | Stall       |           |
|------------------------|-------------------|--------------------|-----------|-----------|-----------------------|-----------|-------------|----------|--------|-------------|-----------|
|                        | Operating Voltage | Nominal (Constant) | Speed rpm | Current A | Speed rpm             | Current A | Torque g-cm | Output W | Eff. % | Torque g-cm | Current A |
| CX.KFE130S-09380       | 6.0-15.0          | 13.0               | 8560      | 0.045     | 6615                  | 0.153     | 14.77       | 1.002    | 50.4   | 65          | 0.52      |
| CX.KFE130S-09350       | 6.0-15.0          | 12.0               | 10800     | 0.070     | 8015                  | 0.200     | 13.8        | 1.13     | 46.9   | 53.5        | 0.58      |
| General Test Tolerance |                   |                    | ± 15%     |           |                       |           |             |          |        |             |           |

**Remark:** KFE130/KFP130 Series are Carbon Brush Motors.

\*\*\*

**KFE130/KFP130 are Special Series  
for Automotive Rearview Mirror Systems  
or Head Lamp Adjusters**

\*\*\*