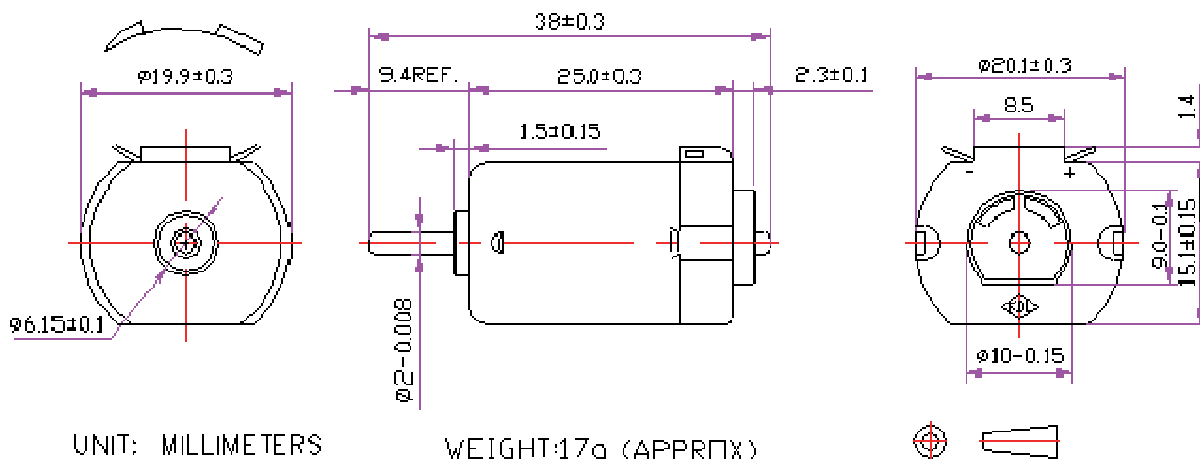


Micromotors CX.KF130 Series

DIRECTION OF ROTATION



Model	Voltage		No Load		At Maximum Efficiency					Stall	
	Operating Voltage	Nominal (Constant)	Speed rpm	Current A	Speed rpm	Current A	Torque g-cm	Output W	Eff. %	Torque g-cm	Current A
CX.KF130-2365	1.5-3.0	3.0	18000	0.32	14140	1.17	9.6	1.40	39.9	45	4.28
CX.KF130S-2365	1.5-3.0	3.0	13500	0.28	10880	1.06	11.7	1.30	41.7	60	4.15
CX.KF130-2270	1.5-3.0	3.0	17000	0.30	13309	1.08	9.6	1.30	40.2	44	3.80
CX.KF130S-18100	1.5-4.5	3.0	9300	0.16	7269	0.57	10.6	0.79	46.0	48.5	1.85
CX.KF130S-15160	3.0-5.0	4.5	9000	0.11	6972	0.38	11.9	0.85	50.2	53.0	1.32
CX.KF130-12220	3.0-6.0	3.0	6100	0.055	4420	0.144	3.5	0.16	37.0	12.7	0.38
CX.KF130-10300	3.0-7.2	3.0	3900	0.045	2700	0.102	2.9	0.08	26.6	9.6	0.23
CX.KF130S-08470	4.0-12.0	5.0	3100	0.032	2116	0.069	5.1	0.11	32.0	16	0.15
CX.KF130-08500	3.0-9.0	5.0	4300	0.032	2909	0.067	3.4	0.101	30.3	10.5	0.14
CX.KFC130S-2270	1.5-3.6	3.0	12000	0.30	9282	1.025	12.9	1.23	40.0	57	3.50
CX.KFC130S-14170	4.5-14.0	13.0	19200	0.155	15466	0.642	27.22	4.32	51.7	140	2.66
CX.KFC130S-15160	3.0-6.0	4.5	8800	0.16	6515	0.46	13.3	0.89	43.1	51	1.32
CX.KFC130-15160	3.0-6.0	4.5	11800	0.17	8734	0.48	7.7	0.69	31.5	29.5	1.35
CX.KFC130S-10300	4.5-13.5	12.0	12000	0.085	9050	0.26	14.2	1.31	42.3	58	0.80
CX.KCF130S-09350	6.0-15.0	12.0	10800	0.07	8015	0.20	13.8	1.13	46.9	53.5	0.58
CX.KC130S-08450	6.0-15	12.0	7200	0.055	5156	0.14	12.1	0.64	38.3	42.5	0.35
General Test Tolerance			± 15%								

Remark: CX.KF130 and CX.KF130S are stamped Metallic Brush Motors
CX.KFC130 and CX.KFC130S are Carbon Brush Motors